



Rev.0 3-26-2013

# Polaris Ranger 2010

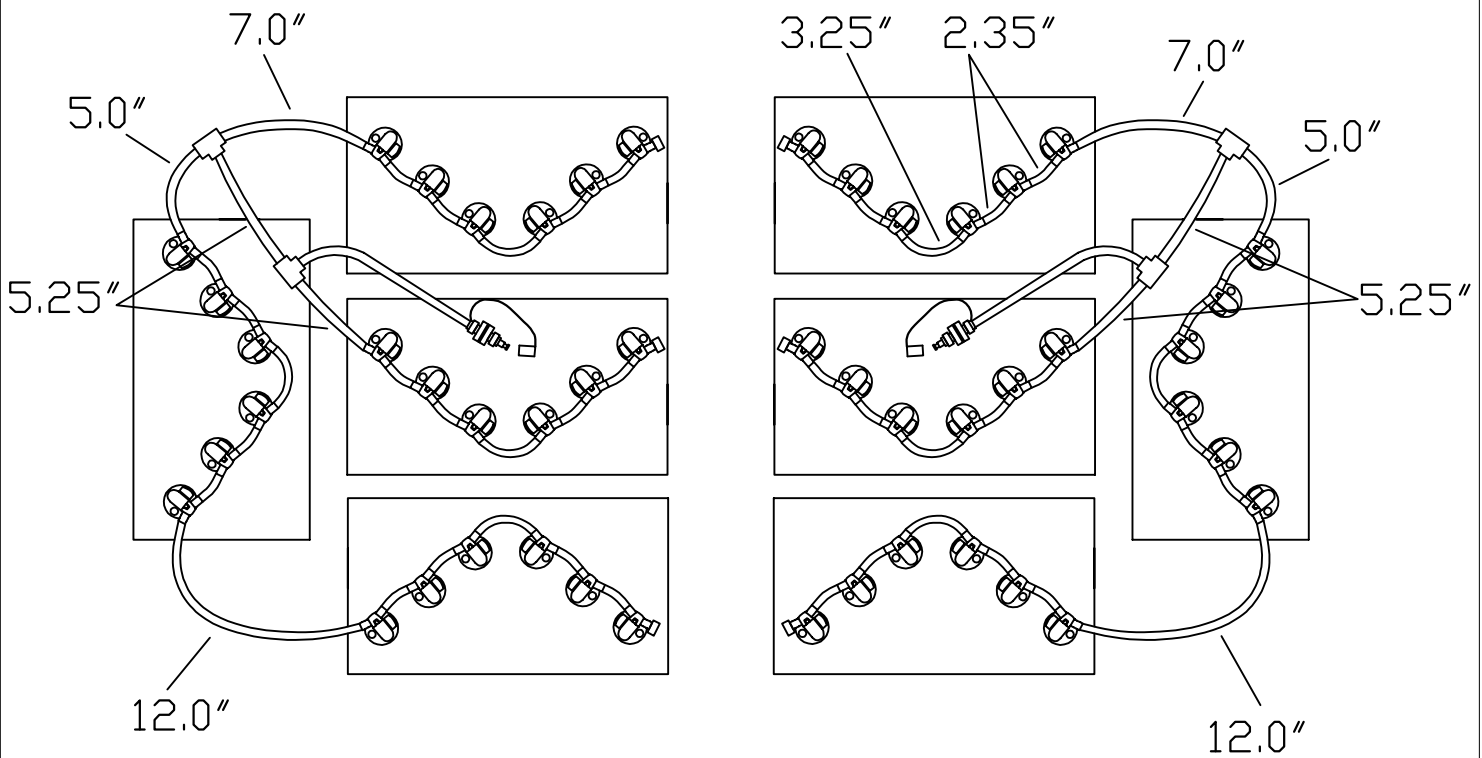
## 8 - 12 Volt Crown Batteries GAPR-KITCCBCTB

Please follow the sketch precisely as shown.

Installation Instructions: Lay preassembled kit on top of batteries exactly as shown in the sketch. Push straight down on each plug until it snaps into the cell. Make sure all tubing remains unobstructed. If there are any questions concerning installation, please call Battery Watering Technologies at 877-522-5431

Note: Use VB-TBY

Note: Must take off battery tie downs before installing



Front of the car

### Operation instructions:

Please water batteries after charge and do not leave unattended

Connect the Delivery system (2 1/2 gallon tank, direct fill link, or direct fill gun) to single pointon kit. Insert male quick connect into female to start water flow. When flow indicator stops spinning or all indicator eyes come to top of the valve, disconnect the quick connect.

Always disconnect from water source after filling

6645 Holder Rd.  
Clemmons, NC. 27012

Phone:336-714-0448  
fax: 336-714-0449