



Bad Boy Recoil IS

with 7 - 8 volt US Batteries

Rev.1 10-11-16

Part # GBB-KITBCRIS

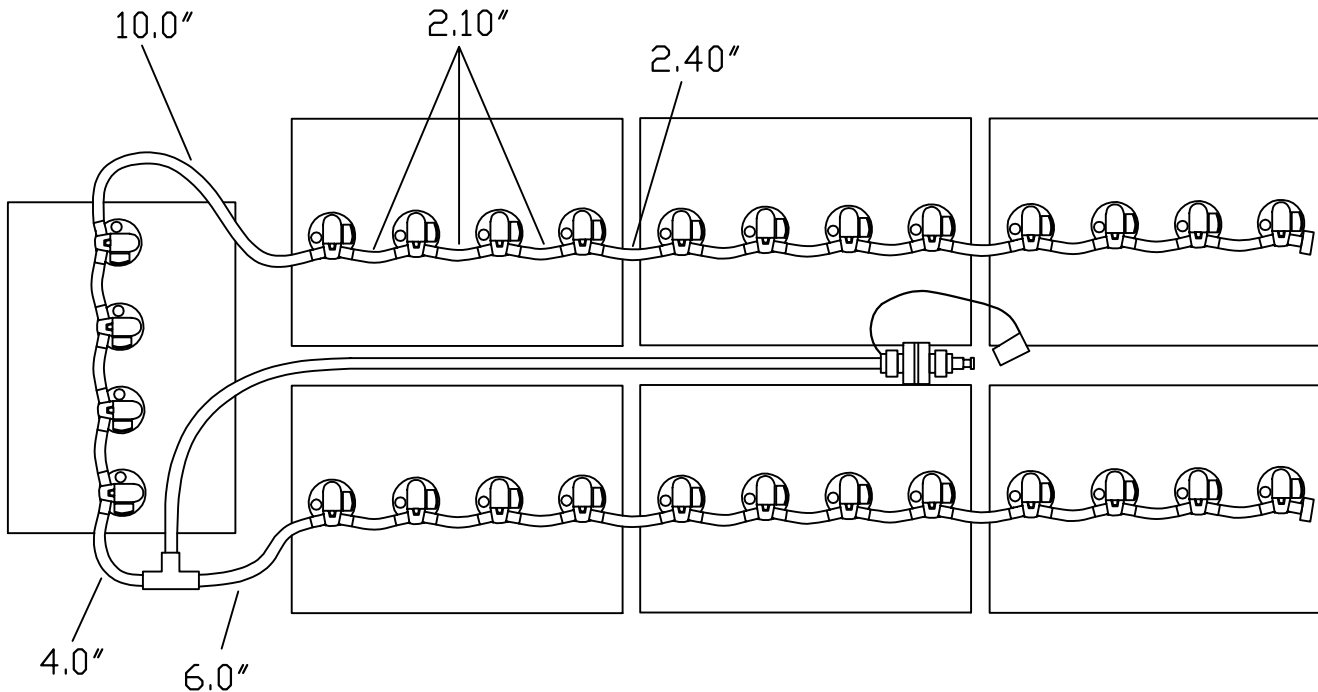
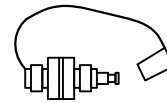
Please follow the sketch precisely as shown.

Installation Instructions: Lay preassembled kit on top of batteries exactly as shown in sketch. push straight down on each valve until it snaps into the cell. make sure all tubing remains unobstructed. if there are any questions concerning installation, please call Battery Watering Technologies at 877-522-5431.

NOTE: Use TBU Valve

NOTE: Ship 09FUV6 and 09BDCAPF loose in bag.

NOTE: Use 09MBLU1 (connector) and 09BDCAP (dust cap) on the kit.



Operation instructions:

Please water batteries after charge and do not leave unattended

Connect the Delivery system (2 1/2 gallon tank, direct fill link, or direct fill gun) to single pinpoint kit. Insert male quick connect into female to start water flow. When flow indicator stops spinning or all indicator eyes come to top of the valve, disconnect the quick connect.

Always disconnect from water source after filling

6645 Holder rd.
Clemmons, NC. 27012

Phone: 336-714-0448
Fax: 336-714-0449

Please water batteries after charge and do not leave unattended