



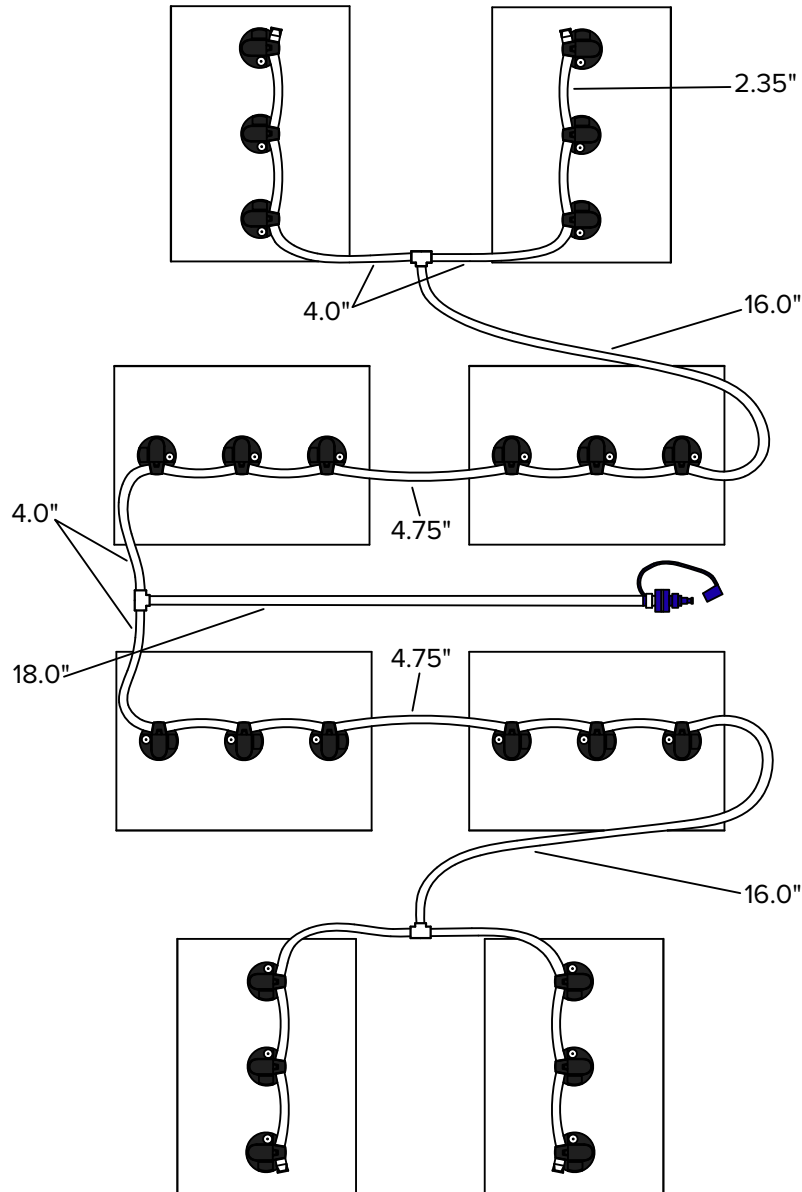
# BATTERY WATERING TECHNOLOGIES

THE LEADER IN BATTERY WATERING TECHNOLOGY™

PART NUMBER: GCC-KIT8BC

VALVE: VB-TBU

REV. 2 12/18/2012



16 @ 2.35"
6 @ 4.0"
2 @ 4.75"
2 @ 16.0"
1 @ 18.0"

MAKE: Club Car	MODEL: Carry All	CELL TO CELL DIMENSION: 2.7"	VOLTAGE: 6V
<p align="center"><b>INSTALLATION INSTRUCTIONS</b></p> <p>Only water batteries after charging. Do not leave unattended.</p> <ol style="list-style-type: none"> <li>1. Remove existing battery caps.</li> <li>2. Ensure the electrolyte level is covering the plates in each cell. If not, add just enough water to cover the plates.</li> <li>3. Following the diagram above, insert the valves into the vent holes.</li> <li>4. Push straight down on each valve until it snaps into the cell.</li> <li>5. Make sure all tubing remains unobstructed.</li> </ol>		<p align="center"><b>SAFETY INFORMATION</b></p> <ul style="list-style-type: none"> <li>• Prior to servicing any vehicle, please turn the key switch to the OFF position.</li> <li>• Do not service any vehicle while the charger cable is plugged into the vehicle or while it is moving.</li> <li>• Do not use any metal tools or have anything metal on your body while working over the batteries.</li> <li>• Wear proper safety protection such as safety glasses, face shield, and rubber gloves when installing or working with batteries.</li> <li>• If acid comes into contact with your skin, or eyes, flush with water and call a physician immediately.</li> </ul> <p align="center">336-714-0448   <a href="http://www.batterywatering.com">www.batterywatering.com</a></p>	