



Tomberlin E4

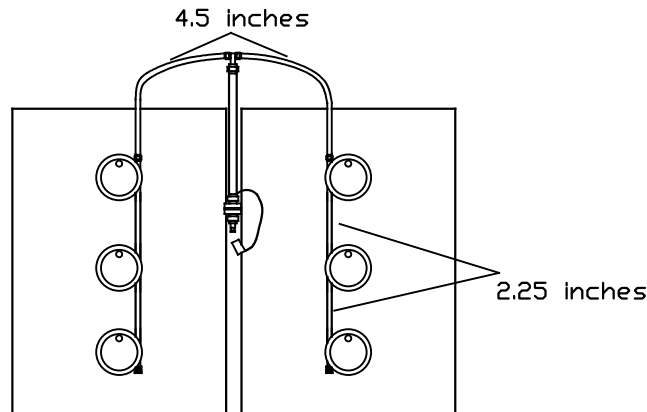
8 six volt US Batteries

Rev. 1 7/1/19

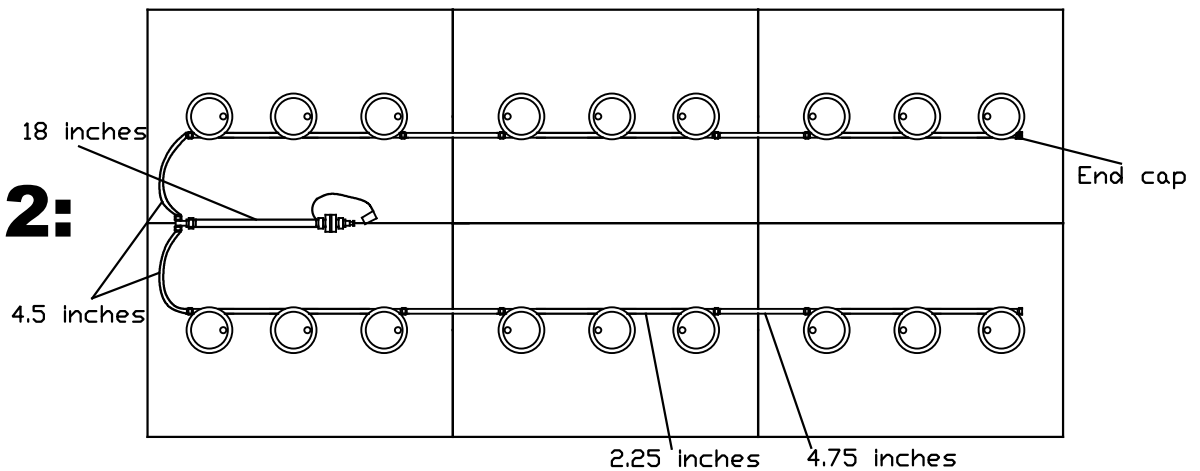
GITE4-KITCUBC

Please follow the sketch precisely as shown. Installation Instructions: Lay preassembled kit on top of batteries exactly as shown in sketch. push straight down on each valve until it snaps into the cell. Make sure all tubing remains unobstructed. If there are any questions concerning installation, please call Battery Watering Technologies at 877-522-5431.

STEP 1:



STEP 2:



Operation instructions:

Please water batteries after charge and do not leave unattended

Connect the Delivery system (2 1/2 gallon tank, direct fill link, or direct fill gun) to single point on kit. Simply pull back on female quick connect and insert into male quick connect. When flow indicator stops spinning or all indicator eyes come to top of the plug, disconnect quick connect

Always disconnect from water source after filling

6645 Holder Rd.
Clemmons, NC. 27012

Phone: 336-714-0448
Fax: 336-714-0449