



Tomberlin

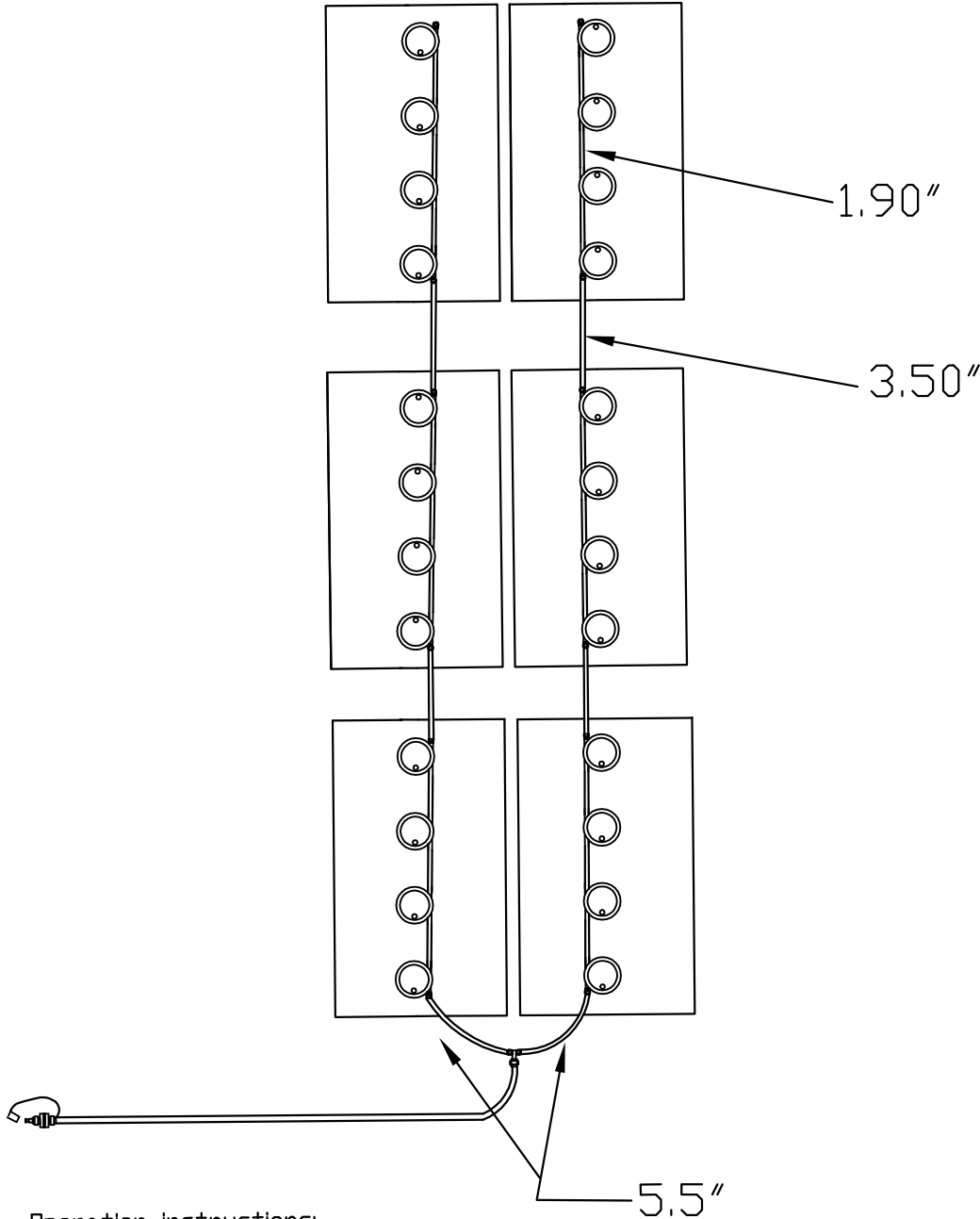
Rev.0 5-17-11

w/ Trojan T-875 Batteries

Part # GITM-KITCTBC

Please follow the sketch precisely as shown.

Note: Before installing kit, make sure all battery cables are where they are supposed to be. Lay out plugs in cells exactly as sketch shows. Simply push down on plug until it snaps in, just like a regular push in battery cap.



Please water batteries after charge and do not leave unattended

Operation instructions:

Please water batteries after charge and do not leave unattended

Connect the Delivery system (2 1/2 gallon tank, direct fill link, or direct fill gun) to single point on kit. Simply pull back on female quick connect and insert into male quick connect. When flow indicator stops spinning or all indicator eyes come to top of the plug, disconnect quick connect

Always disconnect from water source after filling

6645 Holder Rd.
Clemmons, NC. 27012

Phone:336-714-0448
fax: 336-714-0449