



# STAR-BUS

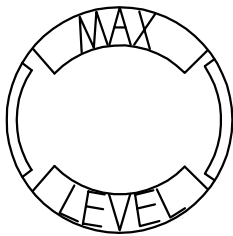
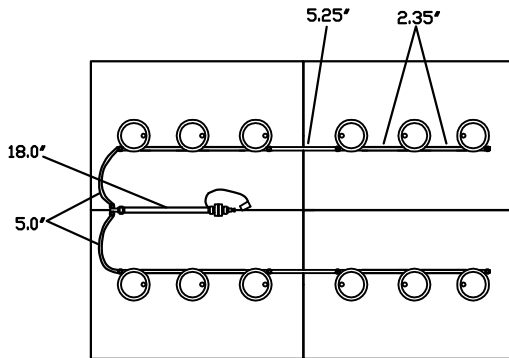
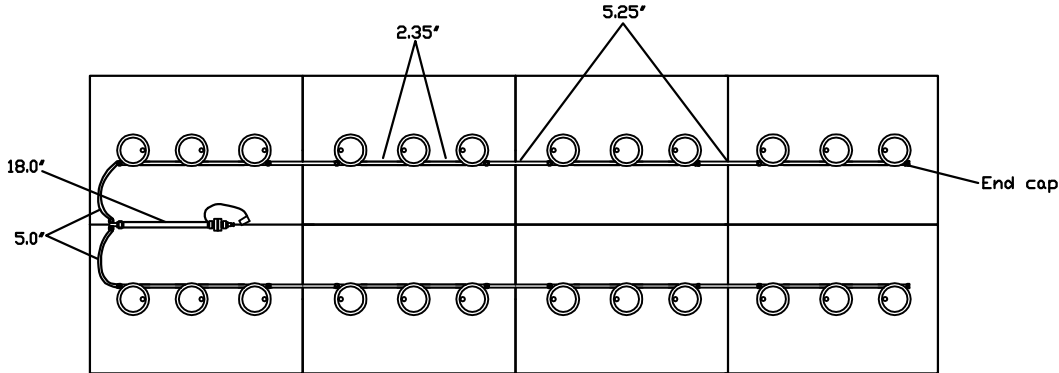
## 72 Volt Kit w/ T-105 Plus

Rev. 3 10-12-2016

GST-KIT36BC

Please follow the sketch precisely as shown.  
Installation Instructions: Lay pre-assembled kit on top of batteries exactly as shown in sketch. Push straight down on each valve until it snaps into the cell. Make sure all tubing remains unobstructed. If there are any questions concerning installation, please call Battery Watering Technologies at 877-522-5431

NOTE: USE VB-TBU



Battery Vent Hole

**Note: This battery has an obstruction inside the vent well. Which can damage the valve if not installed properly. Please make sure the float is properly centered before snapping valve into vent well.**

Please water batteries after charge and do not leave unattended

### Operation Instructions:

Please water batteries after charge and do not leave unattended

Connect the Delivery system (2 1/2 gallon tank, direct fill link, or direct fill gun) to single point on kit. Simply pull back on female quick connect and insert into male quick connect. When flow indicator stops spinning or all indicator eyes come to top of the plug, disconnect quick connect

Always disconnect from water source after filling

6645 Holder Rd.  
Clemmons, NC. 27012

Phone: 336-714-0448  
Fax: 336-714-0449