



BATTERY WATERING TECHNOLOGIES

THE LEADER IN BATTERY WATERING TECHNOLOGY™

DRAWING NUMBER: B-18-17-LP-04

18 CELL

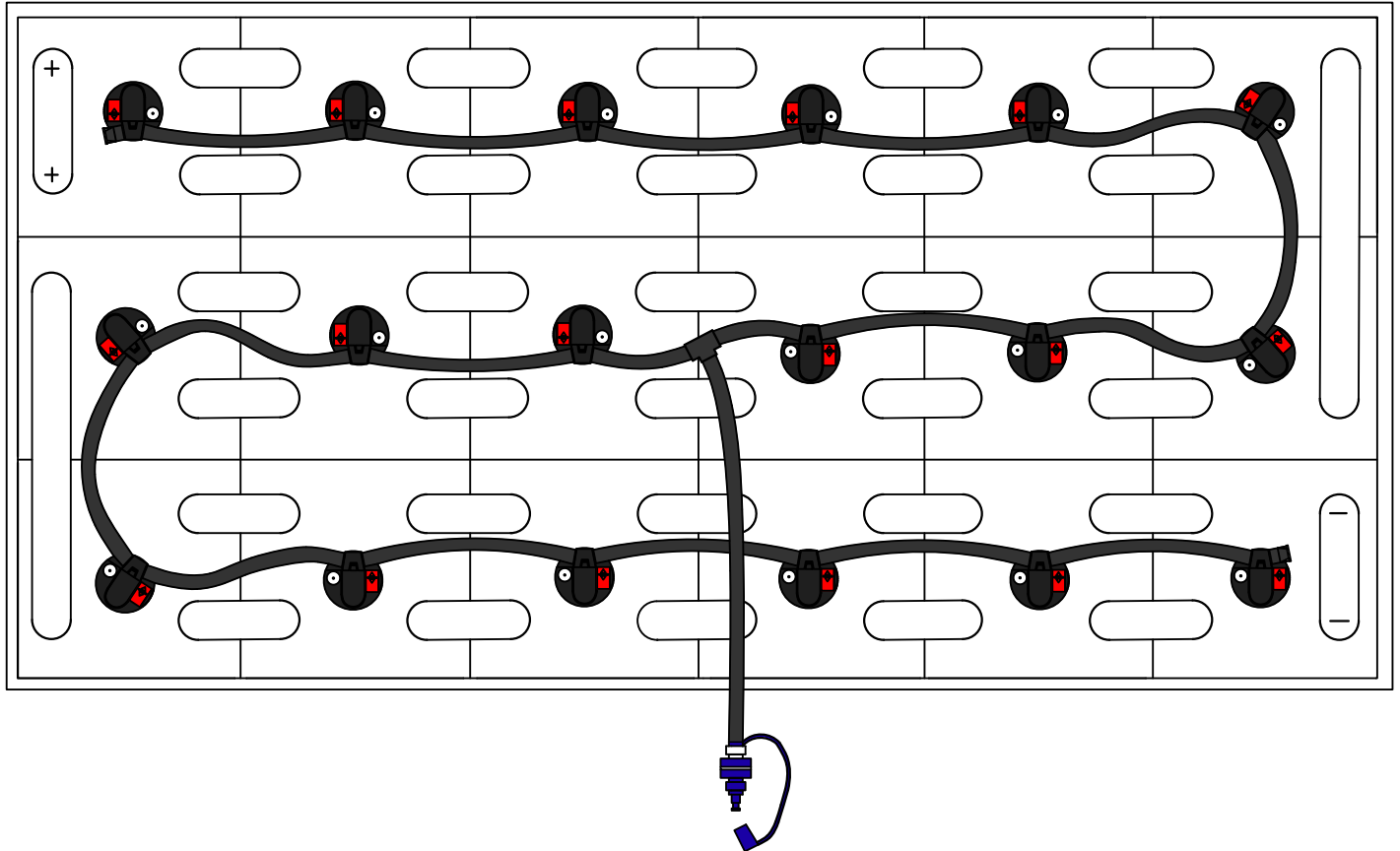
17 PLATE

(WITH OR WITHOUT COVER)

TRAY SIZE: 38.50" X 20.20"

B/C CABLE POSITIONS

REV. 5 10/14/2013



PART #	DESCRIPTION	QTY.
Various	Low Profile Valve	18
08TUB6BLK	6mm Tubing	10.5'
09BDCAP	Dust Cap	1
08CAP6	End Cap	2
08T666N	T Piece 6-6-6	1
09MBLU1	1/4" Male Connector	1
-	-	-
-	-	-

INSTALLATION INSTRUCTIONS

Only water batteries after charging. Do not leave unattended.

1. Remove existing battery caps.
2. Ensure the electrolyte level is covering the plates in each cell. If not, add just enough water to cover the plates.
3. Following the diagram above, insert the valves into the vent holes.
4. Push straight down on each valve until it snaps into the cell.
5. Make sure all tubing remains unobstructed.

336-714-0448
www.batterywatering.com