



BATTERY WATERING TECHNOLOGIES

THE LEADER IN BATTERY WATERING TECHNOLOGY™

DRAWING NUMBER: B-24-33-LP-306

24 CELL

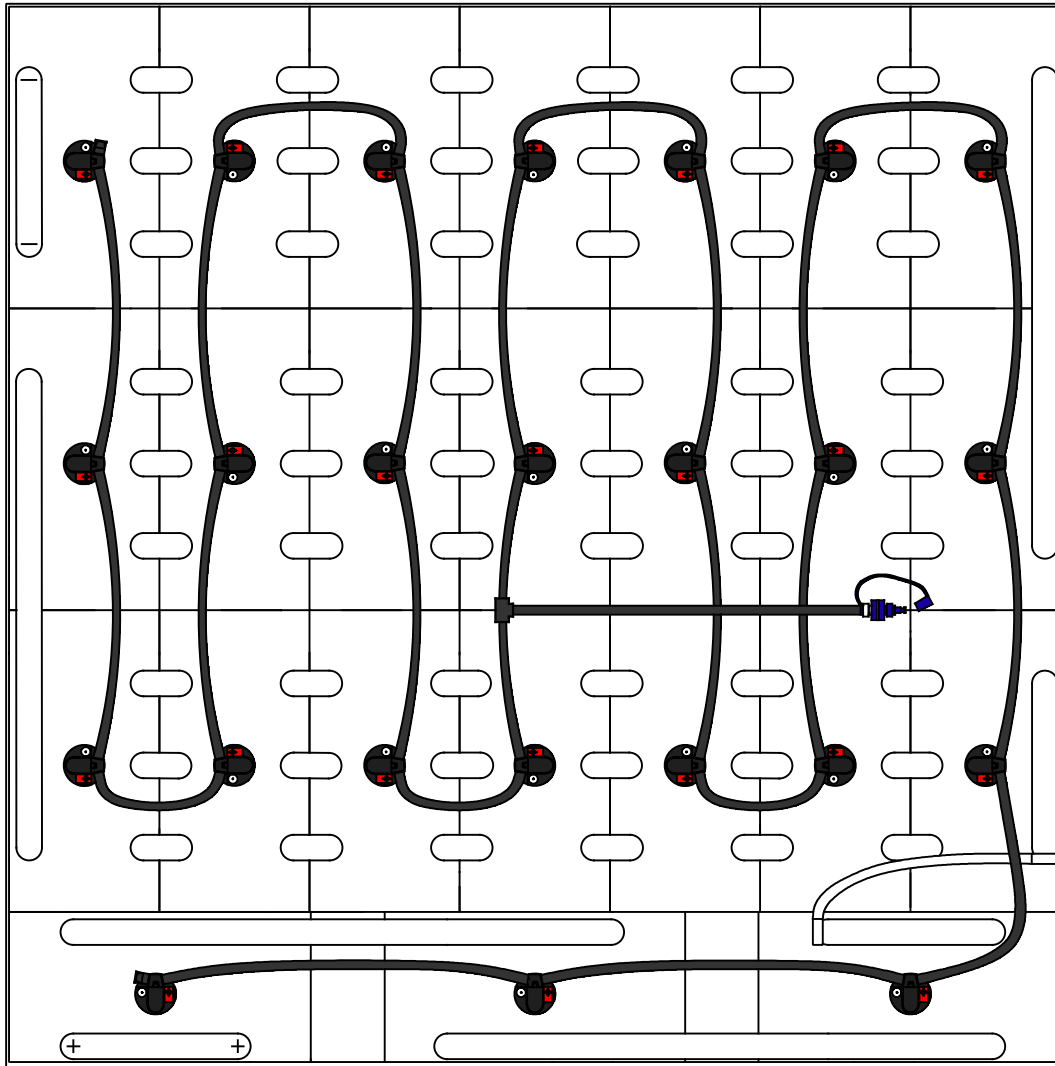
33 PLATE

(WITH OR WITHOUT COVER)

TRAY SIZE: 44.93" X 44.88"

CENTER VENTS

REV. 0 02/07/2017



PART #	DESCRIPTION	QTY.
Various	Low Profile Valve	24
08TUB6BLK	6mm Tubing	25'
09BDCAP	Dust Cap	1
08CAP6	End Cap	2
08T666N	T Piece 6-6-6	1
09MBLU1	1/4" Male Connector	1
-	-	-
-	-	-

INSTALLATION INSTRUCTIONS

Only water batteries after charging. Do not leave unattended.

1. Remove existing battery caps.
2. Ensure the electrolyte level is covering the plates in each cell. If not, add just enough water to cover the plates.
3. Following the diagram above, insert the valves into the vent holes.
4. Push straight down on each valve until it snaps into the cell.
5. Make sure all tubing remains unobstructed.

336-714-0448

www.batterywatering.com